

fresco® pure air® II bath

From the Italian phrase "buon fresco"—"really fresh"—comes the fresco® pure air® II bath, a truly refreshing experience.



Like its namesake, the Fresco® is pure art.

features:

- Exclusive 360° Balanced Airflow™ system
- 800 watt variable speed heated air blower
- Thermal Lumbar Comfort (TLC)™
- Timed purge cycle
- Safely use salts and aromatic oils
- PrO₃™ Cleansing System

fresco® pure air® II bath

model number: Y950

exterior dimensions:
71½" long x 42" wide x 27¼" high

interior dimensions:
47" long x 25" wide

operating gallons:
60 gallons



Detail: The Fresco® Pure Air® II bath's high-backed design cradles the neck and shoulders, while a handrail adds safety.





Fresco® Pure Air® II Bath

Model: Y950

Ordering Information

Product Code:

Y950 Fresco® Pure Air® II Bath
Right Hand

- Center Drain Location
- Accessories / Hardware:
 - Trim Kit Rotary: #BN21
- Trim Kit Finishes Available:
 - (827) - Chrome
 - (898) - Brushed Chrome
 - (815) - Satin Nickel
 - (829) - Bright Brass
 - (805) - Platinum
 - (826) - Brushed Nickel
 - (845) - Oil Rubbed Bronze

Installation Notes

Refer to installation instructions included with fixture before beginning installation. Please confirm product availability and specifications before commencing with any installation work.

PRODUCT SPECIFICATIONS AND AVAILABILITY ARE SUBJECT TO CHANGE WITHOUT NOTICE.

Technical Specifications

Dimensions

71-1/2" L x 42" W x 27-1/4" H
(1816 mm) L x (1067 mm) W x (692 mm) H

Drain/Overflow

A: 20-1/8" (511 mm) B: 11-3/4" (299 mm)

Cutout

Template Provided: P/N P188000

Total Weight

921 lb (418kg) / 44 lb/sq. ft. (215 kg/m²)

Operating Gallonage

60 U.S. Gal. (227 Liters)

Product Weight

146 lb (66 kg)

Skirt Mounting

Not Available

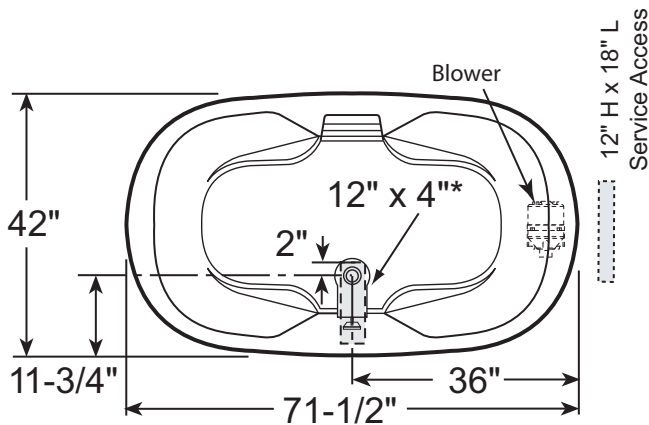
Electrical Specifications

Requires a dedicated GFCI protected separate circuit.

Blower: 120 VAC, 15 AMP, 60 Hz.

Heater

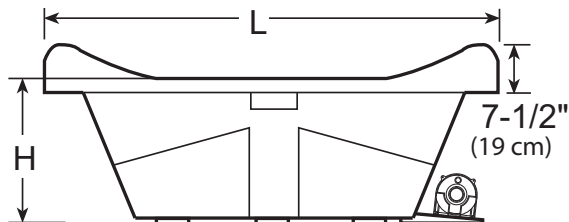
No water heater is available on this unit. Blower has integral air heater.



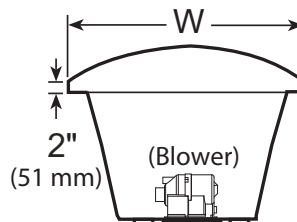
Product Shown: Fresco® Pure Air® II Bath Right Hand Shown Model: Y950

* Measurements inside unit represent cutout in floor to allow for drain/overflow.

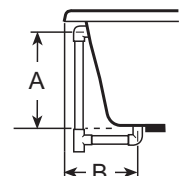
Minimum Service Access dimensions given.



SIDE VIEW



END VIEW



DRAIN/OVERFLOW